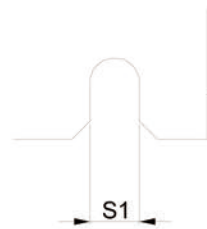
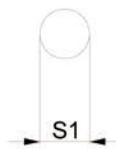
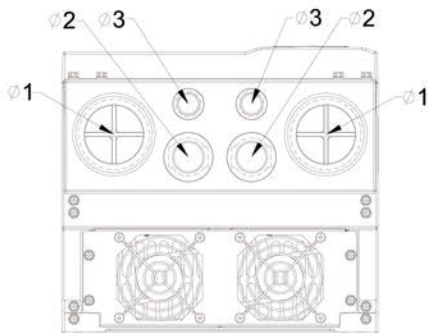
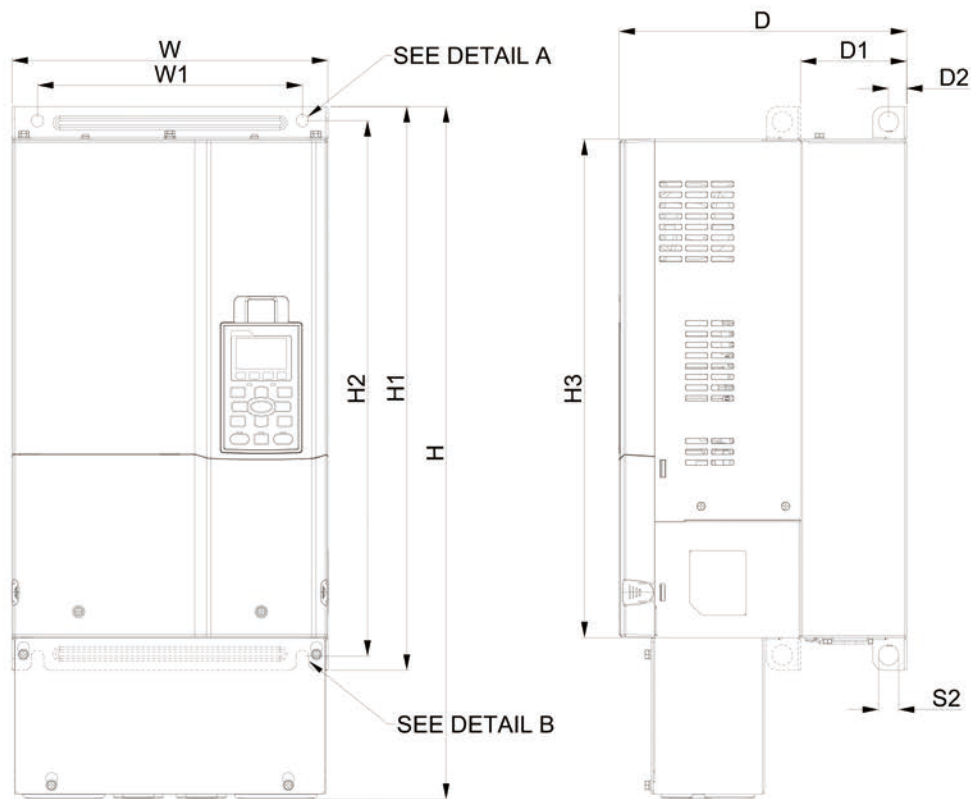


# DRAWING\_1



DETAIL A  
(MOUNTING HOLE)

DETAIL B  
(MOUNTING HOLE)

## DIMENSIONAL

UNIT:mm[inch]

FRAME	W	W1	H	H1	H2	H3	D	D1*	D2	S1	S2	$\varnothing 1$	$\varnothing 2$	$\varnothing 3$
D0-1	280.0[11.02]	235.0[9.25]		500.0[19.69]	475.0[18.70]	442.0[17.40]	255.0[10.04]	94.2[3.71]	16.0[0.63]	11.0[0.43]	18.0[0.71]			
D0-2	280.0[11.02]	235.0[9.25]	614.4[24.19]	500.0[19.69]	475.0[18.70]	442.0[17.40]	255.0[10.04]	94.2[3.71]	16.0[0.63]	11.0[0.43]	18.0[0.71]	62.7[2.47]	34.0[1.34]	22.0[0.87]

\*D1: This dimension is for flange mounting application reference.

DOCUMENT NAME

VFD-C-D0-PD